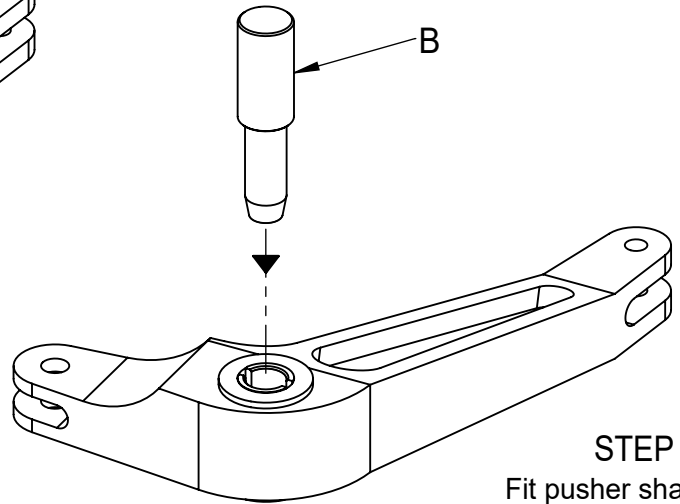
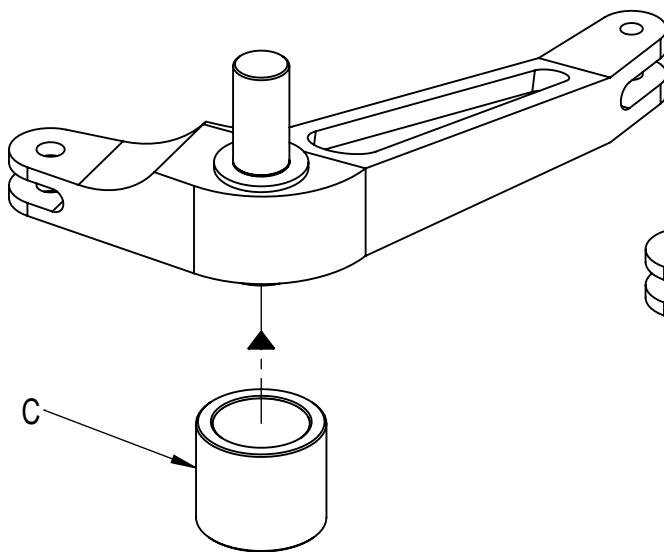


STEP 1
Place the tool (A) inside the bushings' gap

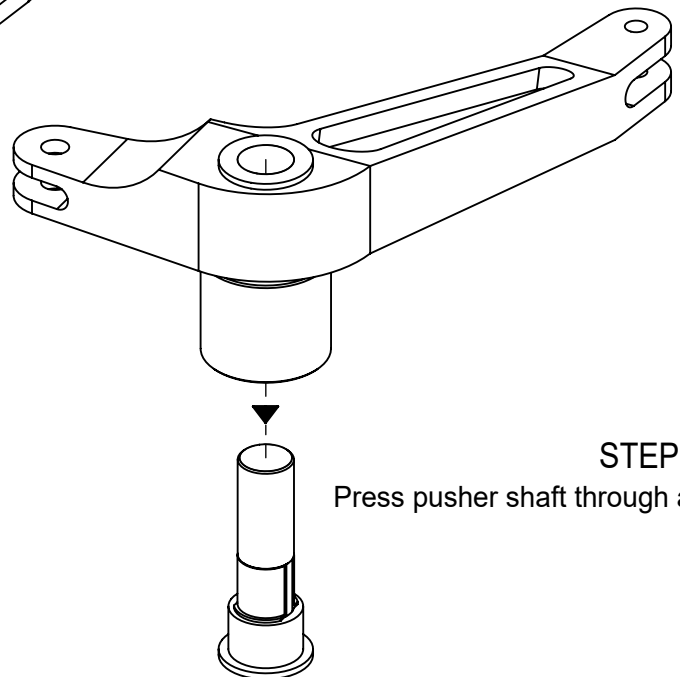
Note:
In case part A does not fit into bushings' gap
see the alternative operation



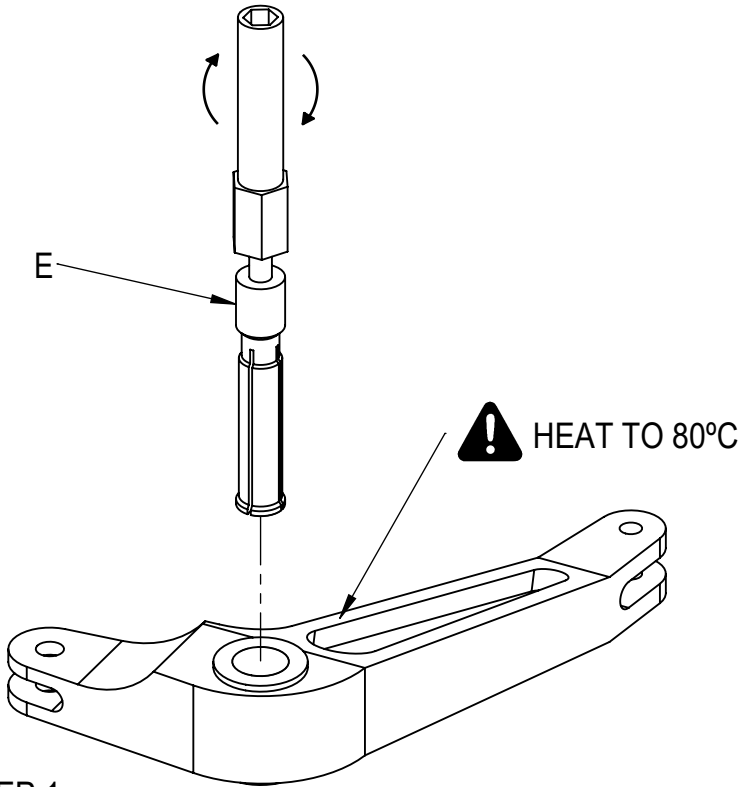
STEP 2
Fit pusher shaft
to keep A on place



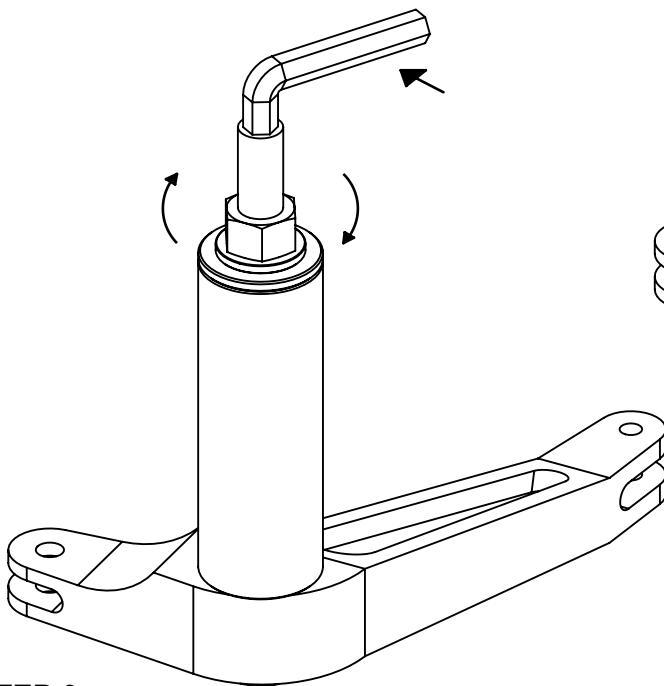
STEP 3
Place the assembly on C



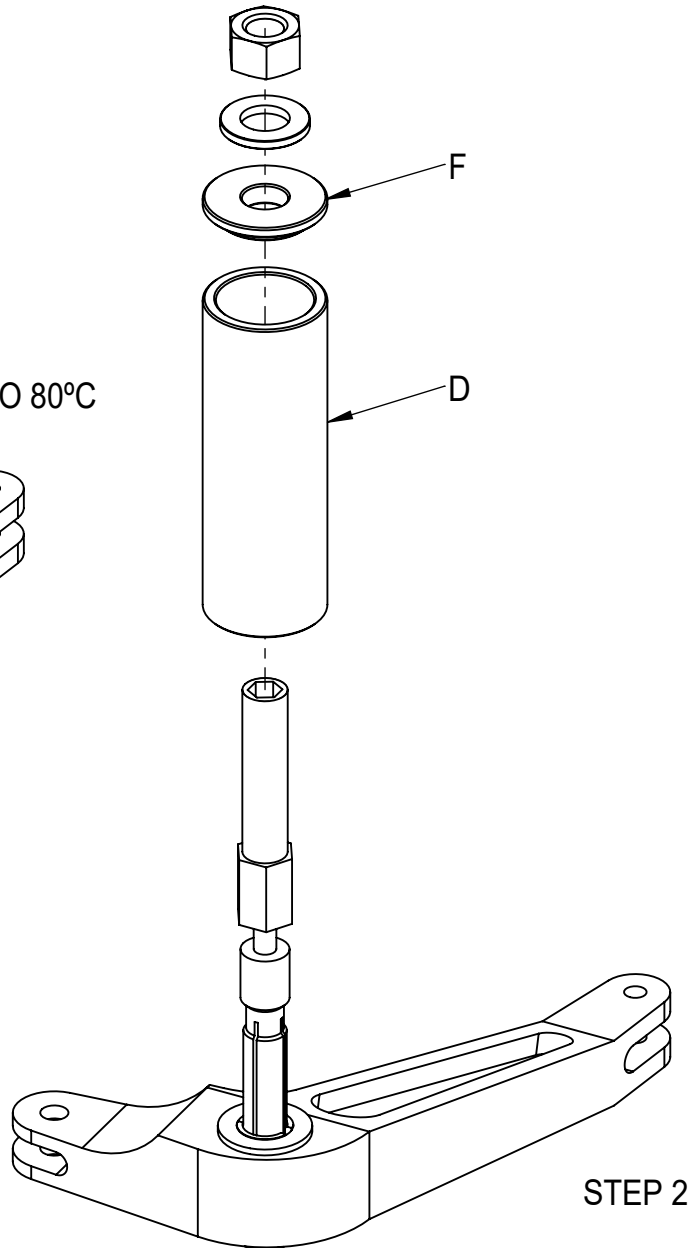
STEP 4
Press pusher shaft through all



STEP 1
Fit extractor (E) and screw-in to expand jaws into bushings' gap



STEP 3
Hold the allen key and screw-in the nut to pull out the bushing



STEP 2