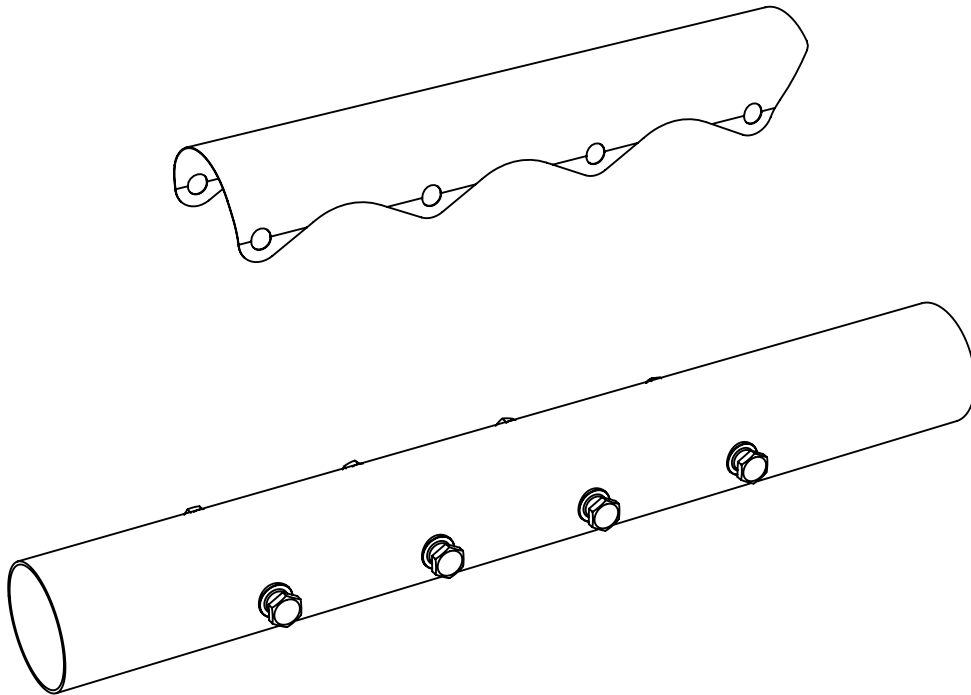


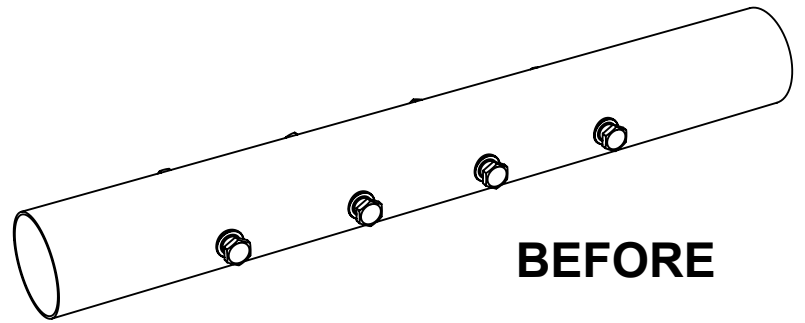
## **SG350A90-05**

Landing Gear Skid bumper protectors

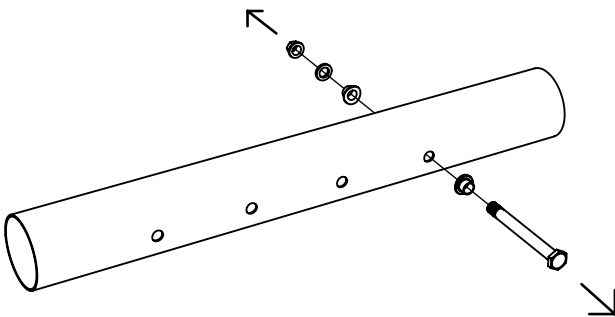
**User Guide**

Rev. 01

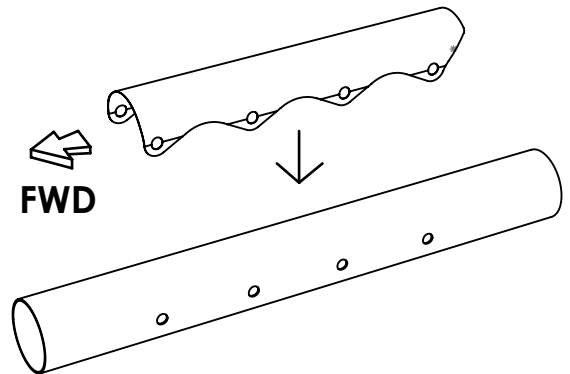




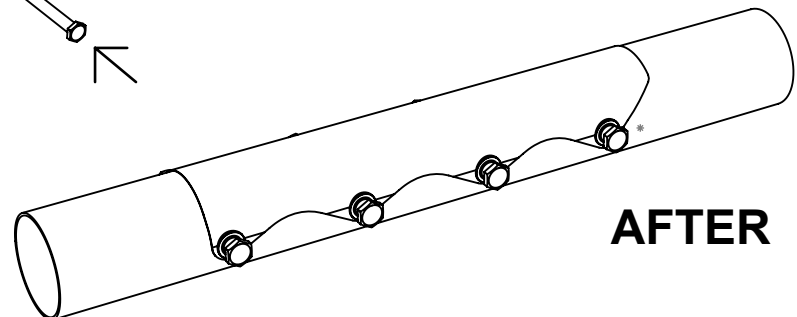
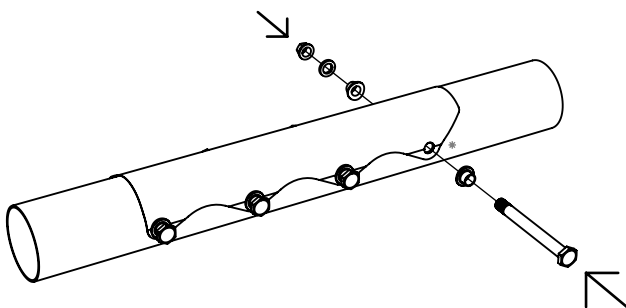
**STEP 1**  
Remove low skid gear bolts



**STEP 2**  
Install bumper protector on skid



**STEP 3**  
Assembly low skid gear bolts



### Squirrel's Garage Special Tools SL

Calle Llobregat 11-13, 2<sup>o</sup> 1<sup>a</sup>  
St. Esteve Sesrovires 08635 (Barcelona), Spain  
Tel 1: +34 657 93 53 91  
Tel 2: +34 637 44 75 71  
info@sgst.es  
www.sgst.es

This document, as well as the data, specifications and other information set forth in it, are the exclusive property of Squirrel's Garage SL. It may not be reproduced or given to third parties without its consent. The data specified above only serve to describe the product. No statements concerning a certain condition or suitability for a certain application can be derived from our information. The information given does not release the user from the obligation of own judgment and verification. It must be remembered that our products are subject to a natural process of wear and aging subject to change.

Release date: 14/02/2020