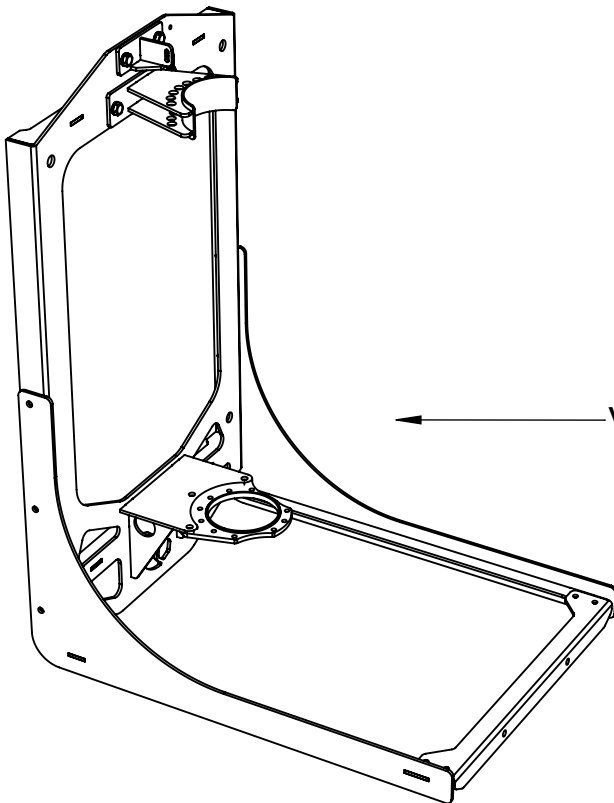
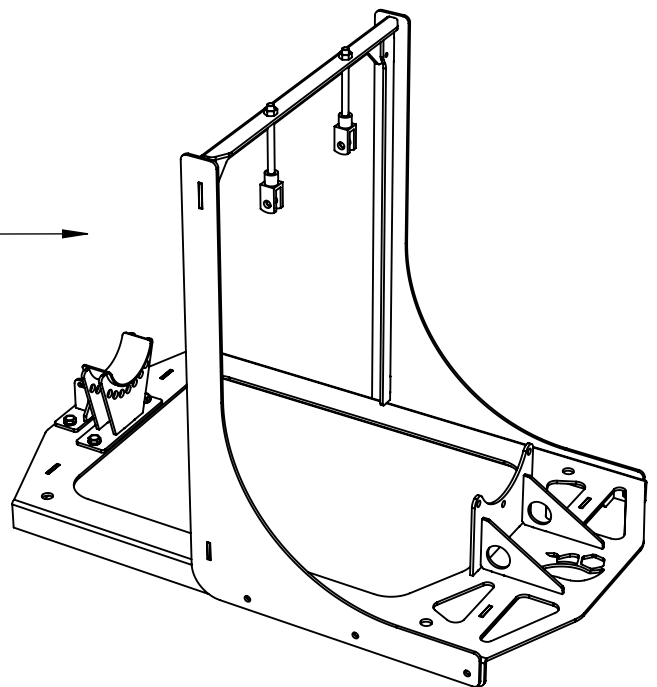


← ENGINE STAND

ENGINE FRONT SUPPORT REMOVAL →



← VERTICAL MODULAR ASSEMBLY SUPPORT