

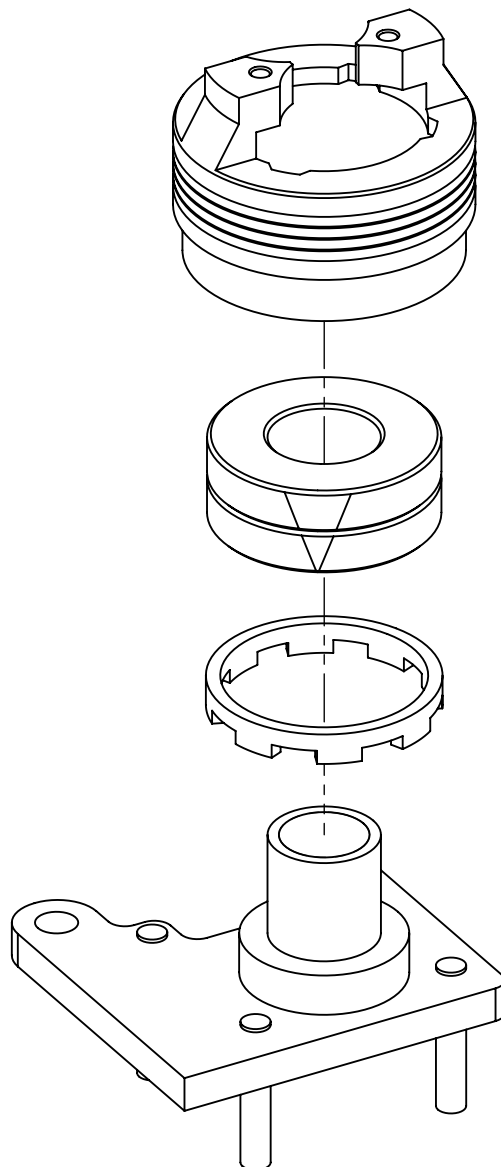
SG350A93-3550-01

Removal / installation hydraulic pump pulley bearings

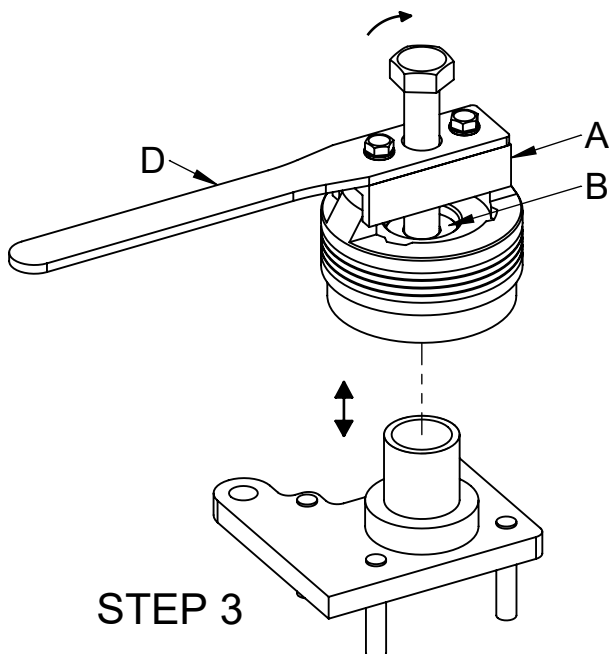
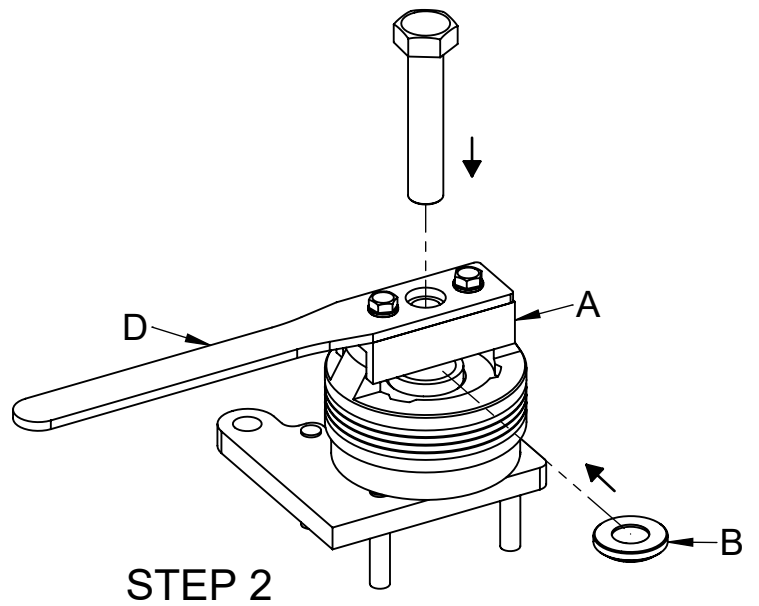
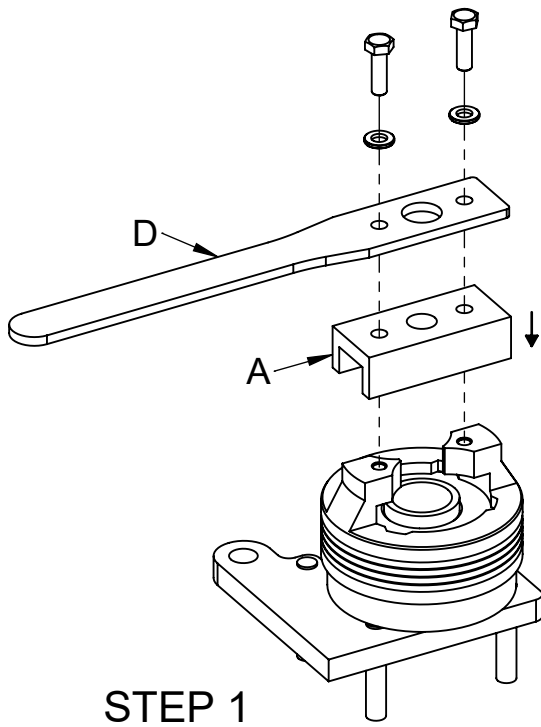
Post Mod 079566 & 079568

Tool User Guide

Rev. 04

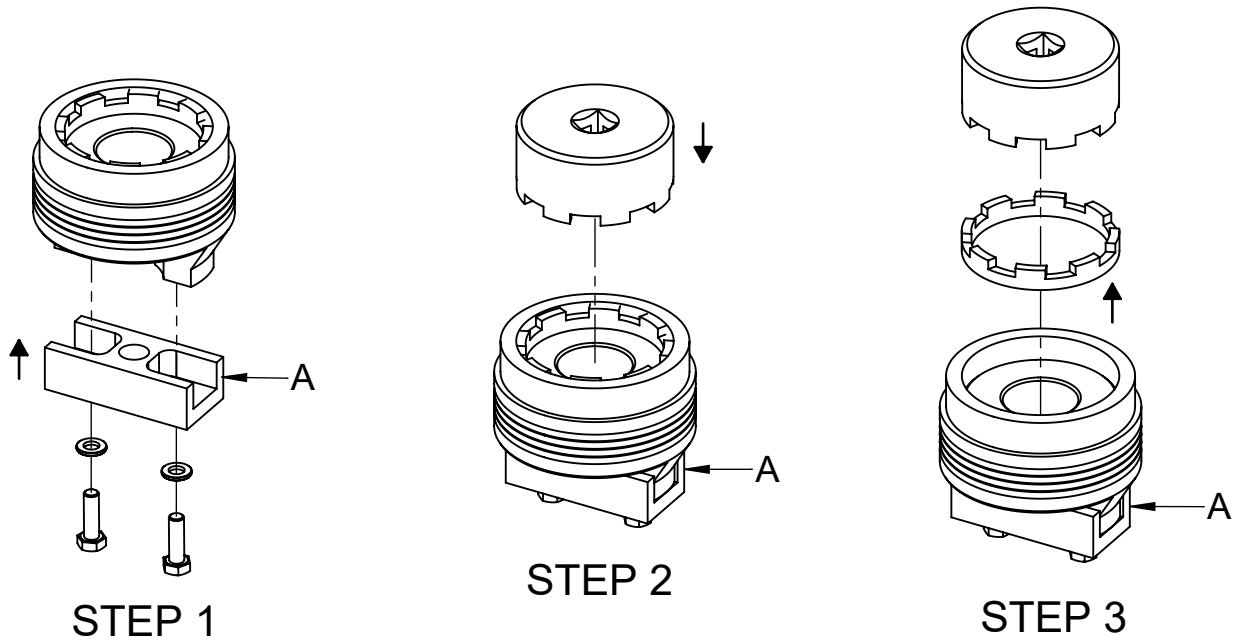


Pulley assembly removal from shaft

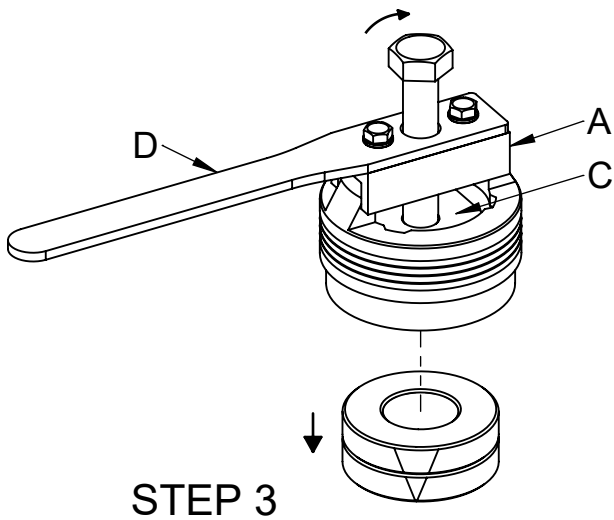
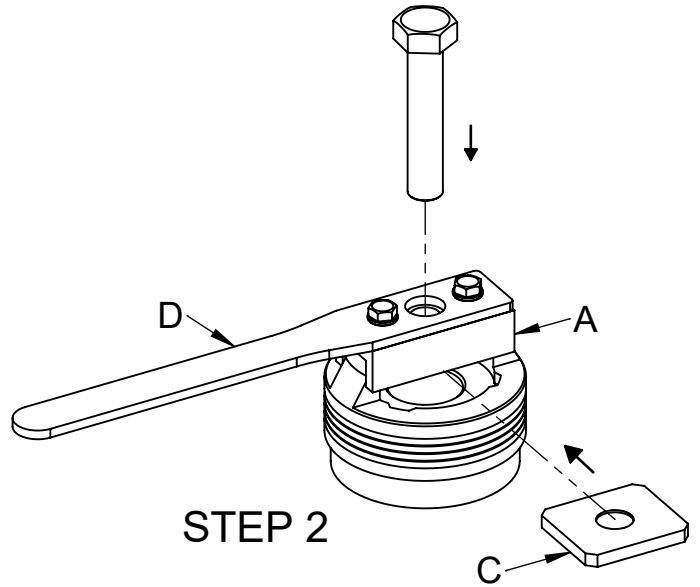
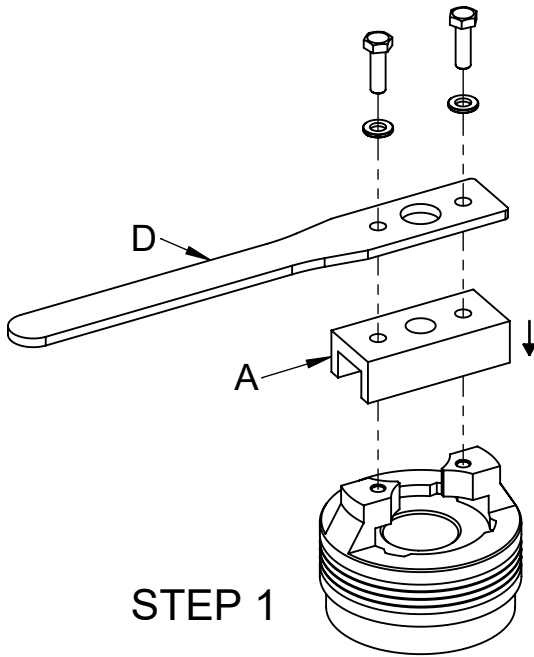


Bearing lock nut removal from pulley assembly

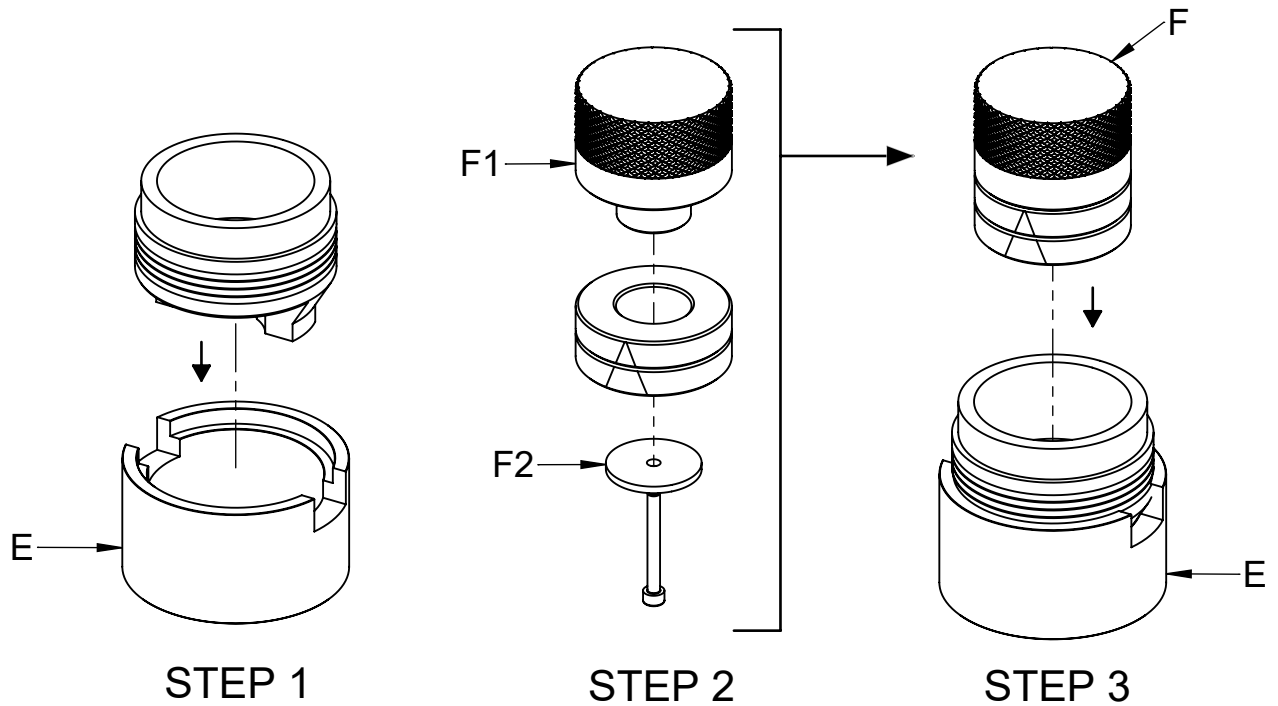
During lock nut removal, hold pulley assembly by (A) on a vice tool.



Bearing removal from pulley

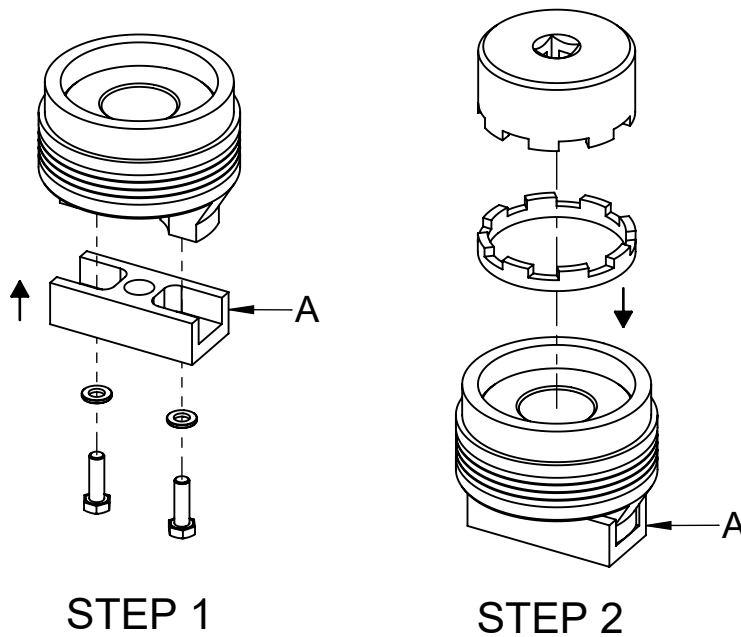


Pulley bearing installation

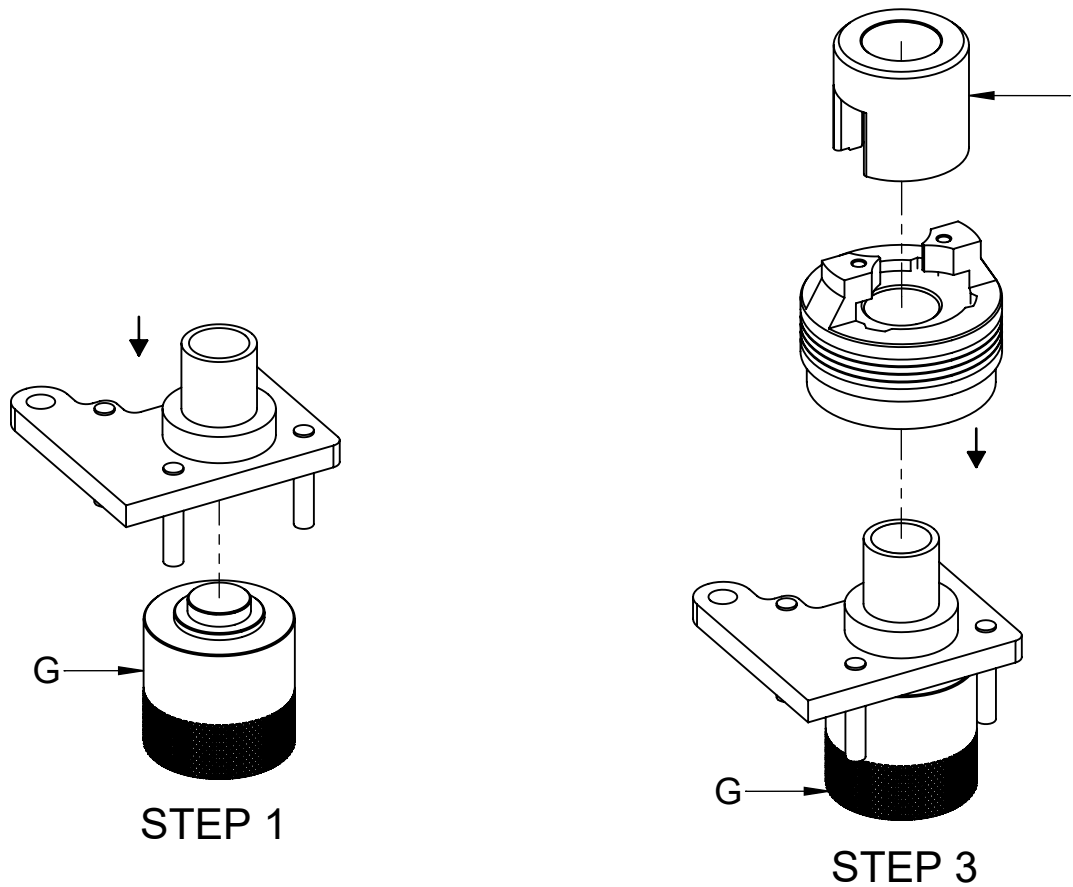


Bearing lock nut installation in pulley

During lock nut installation, hold pulley assembly by (A) on a vice tool.



Pulley assembly installation on shaft



Squirrel's Garage Special Tools SL

Calle Llobregat 11-13, 2º 1ª
St. Esteve Sesrovires 08635 (Barcelona), Spain
Tel 1: +34 657 93 53 91
Tel 2: +34 637 44 75 71
info@sgst.es
www.sgst.es

This document, as well as the data, specifications and other information set forth in it, are the exclusive property of Squirrel's Garage SL. It may not be reproduced or given to third parties without its consent. The data specified above only serve to describe the product. No statements concerning a certain condition or suitability for a certain application can be derived from our information. The information given does not release the user from the obligation of own judgment and verification. It must be remembered that our products are subject to a natural process of wear and aging subject to change.

Release date: 16/06/2021